

# PROFILA 50 AND 30

## 90° ADHESIVE CORNER PROTECTORS

Colours available per product: please see the colour summary hinge



### APPLICATIONS

These corners protectors blend in seamlessly with all interiors and protects corners from light impacts.

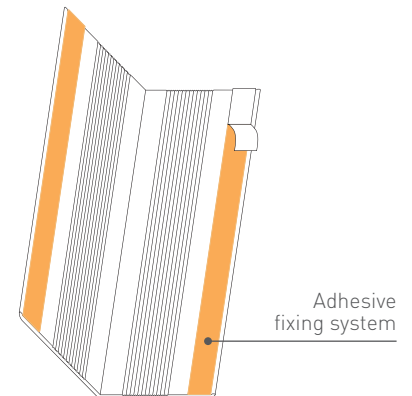
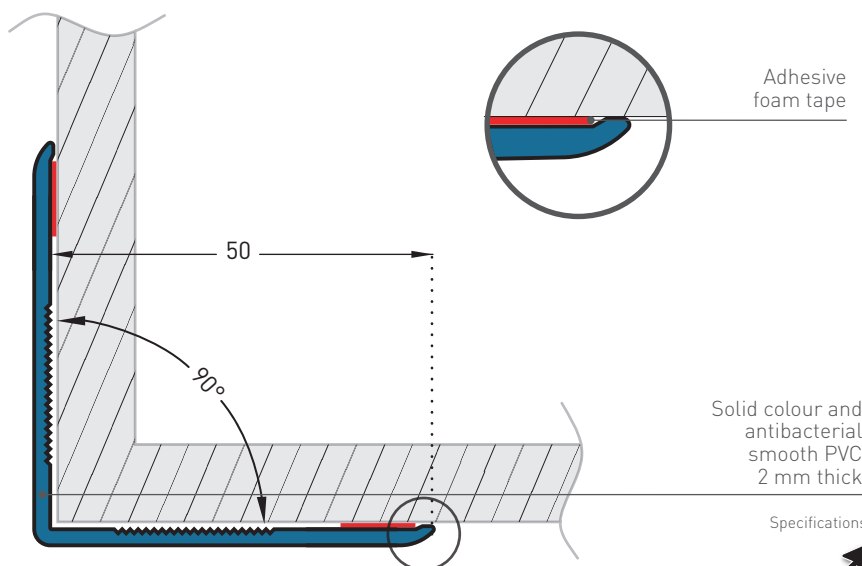
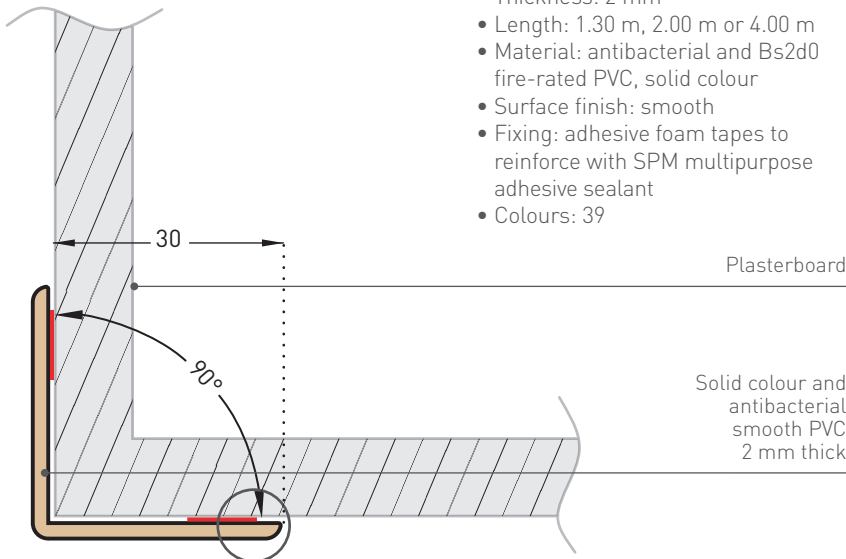
Profila 30 can also protect some door frames.

### DESCRIPTION

- Model: Profila 50 or 30 adhesive corner protector
- Angle: 90°
- Wing width (internal measurement):
  - 50 mm Profila 50
  - 30 mm Profila 30
- Thickness: 2 mm
- Length: 1.30 m, 2.00 m or 4.00 m
- Material: antibacterial and Bs2d0 fire-rated PVC, solid colour
- Surface finish: smooth
- Fixing: adhesive foam tapes to reinforce with SPM multipurpose adhesive sealant
- Colours: 39

### SPECIFICATION

- Description: 90° adhesive corner protector (Profila 50 or 30 as manufactured by SPM) from smooth and antibacterial PVC, 2 mm thick, achieving Bs2d0 reaction to fire classification with solid colour. Wings are 50 or 30 mm wide (internal measurement). A protective film is specified to minimise cleaning before acceptance. It is provided with 2 strips of double-sided adhesive foam tape for fixing.
- Environment: no heavy metals and no substance potentially subjected to any REACH restriction are used in its manufacture, nor PBT/BPA. The calcium-zinc thermal stabilisation process is used. The emission level of volatile substance in inside air has been tested according to ISO 16000-6 and is very low (A+) according to the French regulation (23 March 2011 nr 2011-321 Decree and 19 April 2011 Order). 100% of the product are recyclable.
- Colour: selected by architects from manufacturer's standard range.
- Installation method: adhesive. SPM multipurpose adhesive sealant is recommended for stronger fixing.



Specifications and section drawings on our website [www.spm-international.com](http://www.spm-international.com)

**bimobject** BimObject in Revit and Archicad